

Dry Disconnects



The Right Connection™

Features and Benefits

When your product is:

- Expensive
- Expensive to clean up
- Expensive to reprocess or dispose
- Hazardous to workers or the environment
- Prone to accidental spillage and product loss



DDC300SS

Dry disconnect couplings are designed for quick and spill free connection and disconnection of hoses and pipelines. They are used by producers of ink, adhesives, fatty acids, pharmaceuticals, liquid soaps, petroleum, chemicals, agricultural and a wide variety of common caustic and specialty acids.

- **Easy to handle** - push and turn - free flow, turn and pull - closed
- **Time saving** - no need to drain hoses or pipe systems
- **Economical** - no loss or spillage of liquids at connection or disconnection
- **Safety** - the valve cannot be opened until the unit is coupled
- **Environment friendly** - accidental spillage eliminated
- **Safe and reliable** - due to rugged construction
- **Product life** - high quality materials ensure longer product life
- **Selectivity** - To avoid product contamination caused by connecting a coupler to the wrong adapter, selective versions of the adapters are available. Contact the factory for further information.
- **Working Pressure** -

aluminum	260 PSI
brass/gunmetal	360 PSI
stainless steel	360 PSI
- **Optional seals** - EPDM, NBR - nitrile, Kalrez®, Chemraz®, Perlast®
- **Seal kits are available - please page 13 - 19**

Interchanges with Avery Hardoll and Todo-matic®

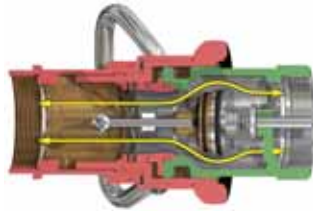
How it works

The principle of operation is identical for all sizes of couplings.



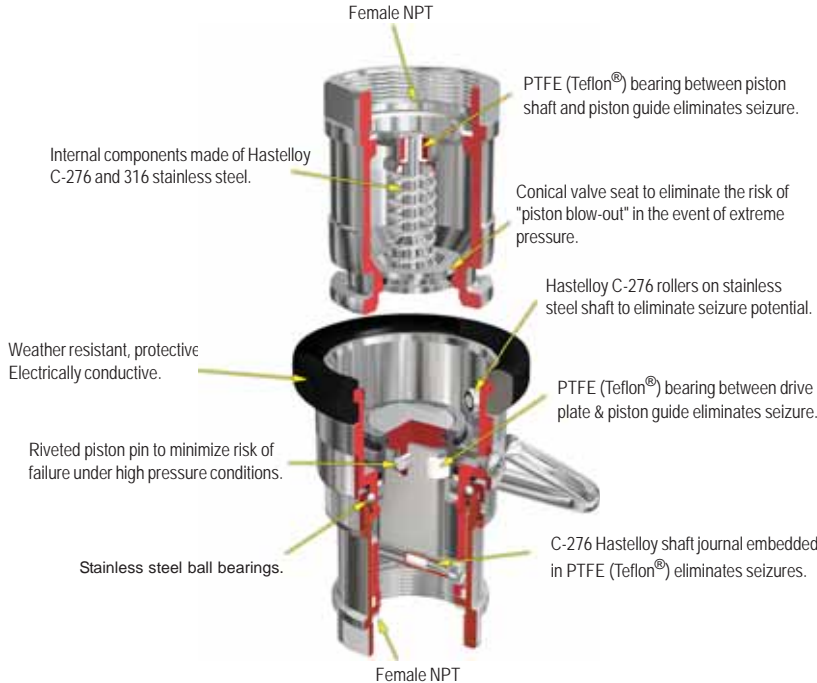
Closed:

- Turn and pull it's released - *no spillage*



Open:

- Push and turn it's coupled - *full flow*



Dry Quick Disconnect Couplers

(Hose Unit)

- Coupler has built-in swivel
- Stainless steel ball bearings
- Shaft journal in stainless steel embedded in PTFE (Teflon®) to eliminate seizure
- Riveted piston pin to minimize the risk for failure under extreme pressure conditions
- Electrically conductive, weather resistant protective ring
- All wetted parts are *stainless steel*
- Rollers for the *stainless steel* units are hastelloy C276 on the stainless steel shaft
- Rollers for the *aluminum* and *brass* units are aluminum-bronze on the stainless steel shaft
- Plugs in composite (Polyeten PE-HD 300) provide very good protection against corrosion, and withstand both hot and cold environments

Dry Quick Disconnect Couplers x Female NPT with Viton® seals



Female NPT	Body Size	316 Stainless Steel Part #	Anodized Aluminum Part #	Brass / Gunmetal Part #
3/4"	56 mm	DDC075SS	DDC075AL	DDC075BR
1"	56 mm	DDC100SS	DDC100AL	DDC100BR
1 1/2"	70 mm	DDC150SS	DDC150AL	DDC150BR
2"	70 mm	DDC200SS	DDC200AL	DDC200BR
3"	105 mm	DDC300SS105	DDC300AL105	DDC300GM105
3"	119 mm	DDC300SS	DDC300AL	DDC300GM
4"	164 mm	DDC400SS	DDC400AL	DDC400GM
6"	238 mm	DDC600SS	DDC600AL	---

Composite Dust Plugs for Couplers

Size	Body Size	Part #
3/4" and 1"	56 mm	DDDP075
1 1/2" and 2"	70 mm	DDDP150
3"	105 mm	DDDP300105
3"	119 mm	DDDP300
4"	164 mm	DDDP400
6"	238 mm	DDDP600 *

* 6" dust plug is aluminum



Dry Quick Disconnect Adapters (Tank Unit)

- The adapter is usually installed on the tank or manifold
- Available in female NPT or 150# ASA, TTMA or DIN flange
- Conical valve seat to eliminate the risk for "piston blow out"
- PTFE (Teflon®) bearing between the piston shaft and the piston guide eliminates the risk for seizure
- Caps in composite (Polyeten PE-HD 300) provide very good protection against corrosion, and withstand both hot and cold environments

Construction:

- *Aluminum* adapter - aluminum poppet, stainless steel internal parts
- *Stainless steel* adapter - stainless steel poppet, stainless steel internal parts
- *Brass / gunmetal* adapter - brass poppet, brass and stainless steel internal parts

Dry Quick Disconnect Adapters x Female NPT with Viton® seals



Female NPT	Body Size	316 Stainless Steel Part #	Anodized Aluminum Part #	Brass / Gunmetal Part #
¾"	56 mm	DDA075SS	DDA075AL	DDA075BR
1"	56 mm	DDA100SS	DDA100AL	DDA100BR
1½"	70 mm	DDA150SS	DDA150AL	DDA150BR
2"	70 mm	DDA200SS	DDA200AL	DDA200BR
3"	105 mm	DDA300SS105	DDA300AL105	DDA300GM105
3"	119 mm	DDA300SS	DDA300AL	DDA300GM
4"	164 mm	DDA400SS	DDA400AL	DDA400GM
6"	238 mm	DDA600SS	DDA600AL	---

Also available with non projecting piston

Dry Quick Disconnect Adapters x 150# ASA Flange with Viton® seals



150# Flange	Body Size	316 Stainless Steel Part #	Anodized Aluminum Part #	Brass / Gunmetal Part #
¾"	56 mm	DDA075SSFL	---	---
1"	56 mm	DDA100SSFL	DDA100ALFL	DDA100BRFL
1½"	70 mm	DDA150SSFL	DDA150ALFL	DDA150BRFL
2"	70 mm	DDA200SSFL	DDA200ALFL	DDA200BRFL
3"	105 mm	DDA300SS105FL	DDA300AL105FL	DDA300GM105FL
3"	119 mm	DDA300SSFL	DDA300ALFL	DDA300GMFL
4"	164 mm	DDA400SSFL	DDA400ALFL	DDA400GMFL
6"	238 mm	DDA600SSFL	DDA600ALFL	---

Also available with non projecting piston

Dry Quick Disconnect Adapter x TTMA Flange with Viton® seals



TTMA Flange	Body Size	Anodized Aluminum Part #
3"	105 mm	DDA300AL105TTMA
3"	119 mm	DDA300AL119TTMA
4"	164 mm	DDA400AL164TTMA

Also available with non projecting piston

Composite Dust Caps for Adapters



Size	Body Size	Part #
¾" and 1"	56 mm	DDDC075
1½" and 2"	70 mm	DDDC150
3"	105 mm	DDDC300105
3"	119 mm	DDDC300
4"	164 mm	DDDC400
6"	238 mm	DDDC600 *

* 6" dust cap is aluminum

Rubber Dust Cap for Adapters



Size	Body Size	Part #
1"	56 mm	DGDC100
2"	71 mm	DGDC200

Dry Gas Couplings

Dry gas couplings are designed for safe loading and discharge of bobtails or intermediate bulk delivery trucks. They are quick and easy to connect and can be connected to a tank unit with pressures up to 360 PSI. If the pressure is higher you can equip the couplings with a pressure relief valve. The easy to connect pressure relief valve dissipates trapped fluid pressure into the hose coupler without spillage. The primary application of dry gas couplings is in the handling of LPG - Propane and Butane.

- Safe handling of LPG
- Easy to use and saves time
- Reliable and easy to maintain
- Can be coupled against higher pressure
- Minimizes the risk of cold burns
- Minimizes spillage and product loss
- Minimizes health risks
- Keeps the environment free of hazardous vapors and liquids
- Compatible with existing dry disconnect couplings

Technical Information:

- Stainless steel and brass / gunmetal
- NBR90 seals
- Female NPT and ASA flanges
- **360 PSI** working pressure
- Caps and plugs in composite (Polyeten PE-HD 300) provide very good protection against corrosion, and withstand both hot and cold environments

Dry Gas Couplers x Female NPT with NBR90 seals (Hose Unit)

Female NPT	Body Size	<i>Stainless Steel</i> Part #
1"	56 mm	DGC100SS
2"	71 mm	DGC200SS



Dry Gas Adapters x Female NPT with NBR90 seals (Tank Unit)

Female NPT	Body Size	<i>Stainless Steel</i> Part #
1"	56 mm	DGA100SS
2"	71 mm	DGA200SS



Dry Gas Adapters x 150# ASA Flange with NBR90 seals

150# Flange	Body Size	<i>Stainless Steel</i> Part #
1"	56 mm	DGA100SSFL
2"	71 mm	DGA200SSFL



Rubber Dust Cap for Adapters



Size	Body Size	Part #
1"	56 mm	DGDC100
2"	71 mm	DGDC200

Composite Dust Plug for Couplers



Size	Body Size	Part #
1"	56 mm	DGDP100
2"	71 mm	DGDP200

Dry Aviation Couplings

Dry aviation couplings are designed for use in aviation and military refueling systems. Manufactured to accept the international standard 2½" point bayonet, hose end refueling nozzles according to: ISO45 / MS24484 / STANAG 3105 / British Aerospace Spec. 2C14. **They are not configured for under-wing refueling.**

Technical Information:

- Body: high strength aluminum
- Coupling ring: gunmetal
- Bayonet flange and inner parts: stainless steel, aluminum
- All wetted parts are aluminum and stainless steel
- **150 PSI** working pressure
- Caps and plugs in composite (Polyeten PE-HD 300) provide a very good protection against corrosion, and withstand both hot and cold environments

Aviation Couplers (Hose Unit)



female NPT x coupler

Couplers:

- High strength aluminum body
- All wetted parts are aluminum and stainless steel
- Electrically conductive, weather resistant rubber protective ring
- Stainless steel ball bearings
- Gunmetal coupling ring minimizes the risk of seizure
- Stainless steel shaft journal embedded in PTFE(Teflon®) to eliminate seizure
- PTFE (Teflon®) bearings between the driving plate and the piston guide eliminate the risk of seizure
- Riveted piston pin minimizes the risk of failure under extreme pressure conditions

Aviation Couplers x Female NPT with Viton® seals

Female NPT	Body Size	Aluminum Part #
2½"	ISO 45	DAC250AL
3"	ISO 45	DAC300AL

Aviation Couplers x Female BSP with Viton® seals

Female BSP	Body Size	Aluminum Part #
2½"	ISO 45	DAC250ALBSP
3"	ISO 45	DAC300ALBSP

Aviation Adapters (Tank Unit)



150# ASA flange x adapter



female NPT x adapter

Adapters:

- High strength aluminum body
- Inner parts are stainless steel
- PTFE (Teflon®) bearings between the piston shaft and the piston guide eliminate the risk of seizure
- Conical valve seat eliminates the risk of "piston blow out" when extreme pressure is used

Aviation Adapters x Female NPT with Viton® seals

Female NPT	Body Size	Aluminum Part #
2½"	ISO 45	DAA250AL
3"	ISO 45	DAA300AL

Aviation Adapters x 150# ASA Flange with Viton® seals

150# Flange	Body Size	Aluminum Part #
2½"	ISO 45	DAA250ALFL
3"	ISO 45	DAA300ALFL

Also available with 4" TTMA flange

Aviation Aluminum Sight Flow Indicator with Filter / Screen



- Sight flow indicator with male BSP thread screws into aviation coupler with female BSP thread
- Filter / screen can be inspected through the sight glass and is easily removed if cleaning is required
- Screen is 100 mesh

Female Thread	Male Thread	Part #
2½" NPT	2½" BSP	ASFI25T25B
3" NPT	3" BSP	ASFI30T30B
2½" NPT	2½" NPT	ASFI25T25T
3" NPT	3" NPT	ASFI30T30T

Composite Dust Cap for Adapters

Size	Body Size	Part #
2½"	ISO 45	DADC250



Composite Dust Plug for Couplers

Size	Body Size	Part #
2½"	ISO 45	DADP250



Cam and Groove Style Dry Disconnect Couplings

Compatible with most cam and groove style dry disconnects. The Bayco dry disconnect helps prevent spillage from normal or accidental disconnects. It has a spring loaded sealing device designed to "snap" closed should the valve become disconnected with the poppet open, significantly limiting liquid loss.

Our dry disconnect couplings are available in a wide range of sizes, metals, and seal materials. Contact the factory at 800-355-1991 for chemical compatibility, size, and material selection. Special configurations can be designed for your application.

Cam and Groove Style Dry Disconnect Adapters

- Two-piece adapter design for easy rebuilding of adapters
- Fully interchangeable with Kamvalok (OPW trademark) style fittings
- Aluminum fittings have aluminum nose piece and brass piston
- For pressure ratings at other temperatures, contact the factory
- Chemraz® gasket, main seal O-ring. Teflon® seals on cylinder assembly, stuffing box, and seal under poppet screw.
- All products contain stainless steel internals.



1½" - 2" adapter



3" adapter



2" x 3" adapter

Aluminum Adapters

Stainless Steel Adapters¹

Female NPT	Dixon Part #	OPW Part #	Dixon Part #	OPW Part #	Maximum PSI @ 70°	Seal Type
1½"	DBA11-150	1611AN-AL15	DBA71-150	1671AN-SS15	210	Buna
2"	DBA11-200	1611AN-AL20	DBA71-200	1671AN-SS20	150	Buna
3"	DBA11-300	1611AN-AL30	---	---	120	Buna
1½"	DBA12-150	1612AN-AL15	DBA72-150	1672AN-SS15	210	Viton®
2"	DBA12-200	1612AN-AL20	DBA72-200	1672AN-SS20	150	Viton®
3"	DBA12-300	1612AN-AL30	---	---	120	Viton®
2"	DBA61-200	1611AN-AL20	---	---	150	Buna
2"	DBA62-200	1612AN-AL20	---	---	150	Viton®
1½"	DBA63-150	1613AN-AL15	DBA73-150	1673AN-SS15	210	Teflon® Encapsulated Silicone
2"	DBA63-200	1613AN-AL20	DBA73-200	1673AN-SS20	150	Teflon® Encapsulated Silicone
3"	DBA63-300	1613AN-AL30	---	---	120	Teflon® Encapsulated Silicone
1½"	DBA64-150	1614AN-AL15	DBA74-150	1674AN-SS15	210	EPT
2"	DBA64-200	1614AN-AL20	DBA74-200	1674AN-SS20	150	EPT
3"	DBA64-300	1614AN-AL30	---	---	120	EPT
1½"	DBA66-150	1616AN-AL15	DBA76-150	1676AN-SS15	210	Chemraz®
2"	DBA66-200	1616AN-AL20	DBA76-200	1676AN-SS20	150	Chemraz®
3"	DBA66-300	1616AN-AL30	---	---	120	Chemraz®
1½"	---	---	DBA77-150	1677AN-SS15	---	Teflon® Encapsulated Viton®
2"	---	---	DBA77-200	1677AN-SS20	---	Teflon® Encapsulated Viton®
3"	DBA69-300	1616AN-AL30	---	---	120	Teflon® Encapsulated Viton®
1½" x 2"	DBA11-1520	---	---	---	210	Buna
1½" x 2"	DBA12-1520	---	---	---	210	Viton®
2" x 3"	---	---	DBAV73-2030	2173AVN	---	Teflon®

¹ Stainless steel corrosion resistance is comparable to 304 stainless steel

A DBA style adapter is required for coupler to operate. Coupler sold separately, see page 8.

OPW and Kamvalok are registered trademarks of the Dover Corporation

Notes: Contact the factory for chemical compatibility, size and material selection. Special configurations can be designed for your application. Contact the factory for availability.

Cam and Groove Style Dry Disconnect Couplers

- Dixon EZ Boss-Lock cam arms provide high security from accidental opening due to vibration or snagging
- Heavy duty stainless steel crank and link provide long service life
- Dry disconnect coupler has automatic closing poppet assembly
- Stainless steel handle allows product exposure to corrosive chemicals or washdown service
- Strong handle attachment prevents bending of crank assembly
- Fully interchangeable with Kamvalok (OPW trademark) style fittings
- Aluminum fittings have stainless steel internals
- For pressure ratings at other temperatures, contact the factory
- All products contain stainless steel internals
- Seal cylinder prevents products spill when coupler is disconnected from adapter



3" coupler



2" 90° coupler



1½" - 2" coupler

Aluminum Couplers Stainless Steel Couplers

Female NPT	Dixon Part #	OPW Part #	Dixon Part #	OPW Part #	Maximum PSI @ 70°	Seal Material
1½"	DBC61-150	1711D-AL15/1761	DBC71-150	1771D-SS15	210	Buna
2"	DBC61-200	1711D-AL20/1761	DBC71-200	1771D-SS20	150	Buna
3"	DBC61-300	1711D-AL30	---	---	120	Buna
1½"	DBC62-150	1712D-AL15/1762	DBC72-150	1772D-SS15	210	Viton®
2"	DBC62-200	1712D-AL20/1762	DBC72-200	1772D-SS20	150	Viton®
3"	DBC62-300	1712D-AL30	---	---	120	Viton®
1½"	DBC63-150	1763D-AL15	---	---	210	Teflon® Encapsulated Silicone and Kalrez®
2"	DBC63-200	1763D-AL20	---	---	150	Teflon® Encapsulated Silicone and Kalrez®
3"	DBC63-300	1763D-AL30	---	---	120	Teflon® Encapsulated Silicone and Kalrez®
1½"	---	---	DBC73-150	1773D-SS15	210	Teflon® Encapsulated Silicone and Chemraz®
2"	---	---	DBC73-200	1773D-SS20	150	Teflon® Encapsulated Silicone and Chemraz®
1½"	DBC64-150	1764D-AL15	DBC74-150	1774D-SS15	120	EPT
2"	DBC64-200	1764D-AL20	DBC74-200	1774D-SS20	210	EPT
3"	DBC64-300	1764D-AL30	---	---	150	EPT
1½"	---	---	DBC76-150	1776D-SS15	120	Chemraz® and Teflon® ¹
2"	DBC66-200	1766D-AL20	DBC76-200	1776D-SS20	210	Chemraz® and Teflon® ¹
1½"	---	---	DBC77-150	1777D-SS15	150	Teflon® Encapsulated Viton® and Chemraz®
2"	---	---	DBC77-200	1777D-SS20	120	Teflon® Encapsulated Viton® and Chemraz®
3"	DBC69-300	1769D-AL30	---	---	150	Viton® B

90° Swivel

2"	DBS61-200	1711ES-0200	---	---	150	Buna
2"	DBS62-200	1712ES-0200	---	---	150	Viton®

Greaseless

1½"	---	---	DBC77-150-GL	1777D-SS15-GL	210	Teflon® Encapsulated Viton® and Chemraz®
2"	---	---	DBC77-200-GL	1777D-SS20-GL	150	Teflon® Encapsulated Viton® and Chemraz®

¹ Chemraz® gasket, main seal O-ring and handle O-ring. Teflon® seals on cylinder assembly, stuffing box, and seal under poppet screw.

A DBA style adapter is required for coupler to operate. Adapter sold separately, see page 7.

Locking Kit for Couplers

- Kit is designed for 1½" and 2" dry disconnects
- Prevents unintentional opening of poppet assembly



Part #

DBCL-200

Bayonet Style Dry Disconnects

Bayonet dry disconnect fittings are guaranteed to be compatible with existing models. These fittings are designed and tested to provide maximum performance.

- Available in stainless steel, black anodized aluminum, and brass
- Smooth coupling action and swivel rotation
- Interchangeable with Emco™ Wheaton 72 and 73 Series



BA32-200



BA31-300



BA62-300

Stainless Steel Adapters

Size	Dixon Part #	Emco™ Part #	Body	Seal Material
2"	BA31-200	<i>J72A-BBN0-B / J72A-ABN0-B</i>	Stainless Steel	Buna
2"	BA32-200	<i>J72A-BVN0-B / J72A-AVN0-B</i>	Stainless Steel	Viton®
3"	BA31-300	<i>J73A-BBN0-B</i>	Brass	Buna
3"	BA32-300	<i>J73A-BVN0-B</i>	Brass	Viton®
3"	BA61-300	<i>J73A-ABN0-B</i>	Aluminum	Buna
3"	BA62-300	<i>J73A-AVN0-B</i>	Aluminum	Viton®



BS62-200



BSS62-200



BS62-300



BSS62-300

Aluminum Couplers

Size	Dixon Part #	Emco™ Part #	Seal Material	Style
2"	BS61-200	<i>J72C-ABN2-B</i>	Buna	90° swivel
2"	BS62-200	<i>J72C-AVN2-B</i>	Viton®	90° swivel
2"	BSS61-200	<i>J72C-ABN1B</i>	Buna	straight swivel
2"	BSS62-200	<i>J72C-AVN1-B</i>	Viton®	straight swivel
3"	BS61-300	<i>J73C-ABN2-B</i>	Buna	90° swivel
3"	BS62-300	<i>J73C-AVN2-B</i>	Viton®	90° swivel
3"	BSS61-300	<i>J73C-ABN1-B</i>	Buna	straight swivel
3"	BSS62-300	<i>J73C-ABN1-B</i>	Viton®	straight swivel

Emco™ is a trademark of Gardner Denver Corporation

Repair Parts for Mann Tek Adapters and Couplers

ADAPTERS

Part #	Description
56ARKAL	Aluminum repair kit for ¾" - 1" adapter 56mm (DDA075AL & DDA100AL)
70ARKAL	Aluminum repair kit for 1½" - 2" adapter 70mm (DDA150AL & DDA200AL)
105ARKAL	Aluminum repair kit for 3" adapter 105mm (DDA300AL105)
119ARKAL	Aluminum repair kit for 3" adapter 119mm (DDA300AL)
164ARKAL	Aluminum repair kit for 4" adapter 164mm (DDA400AL)
238ARKAL	Aluminum repair kit for 6" adapter 238mm (DDA600AL)
56ARKBR	Brass repair kit for ¾" - 1" adapter 56mm (DDA075BR & DDA100BR)
70ARKBR	Brass repair kit for 1½" - 2" adapter 70mm (DDA150BR & DDA200BR)
105ARKBR	Brass repair kit for 3" adapter 105mm (DDA300GM105)
119ARKBR	Brass repair kit for 3" adapter 119mm (DDA300GM)
164ARKBR	Brass repair kit for 4" adapter 164mm (DDA400GM)
56ARKSS	Stainless repair kit for ¾" - 1" adapter 56mm (DDA075SS & DDA100SS)
70ARKSS	Stainless repair kit for 1½" - 2" adapter 70mm (DDA150SS & DDA200SS)
105ARKSS	Stainless repair kit for 3" adapter 105mm (DDA300SS105)
119ARKSS	Stainless repair kit for 3" adapter 119mm (DDA300SS)
164ARKSS	Stainless repair kit for 4" adapter 164mm (DDA400SS)
238ARKSS	Stainless repair kit for 6" adapter 238mm (DDA600SS)

Kit includes replacement Teflon® bushing, but does not include O-ring and seals

COUPLERS

Part #	Description
56CRKAL	Aluminum repair kit for ¾" - 1" coupler 56mm (DDC075AL & DDC100AL)
70CRKAL	Aluminum repair kit for 1½" - 2" coupler 70mm (DDC150AL & DDC200AL)
105CRKAL	Aluminum repair kit for 3" coupler 105mm (DDC300AL105)
119CRKAL	Aluminum repair kit for 3" coupler 119mm (DDC300AL)
164CRKAL	Aluminum repair kit for 4" coupler 164mm (DDC400AL)
238CRKAL	Aluminum repair kit for 6" coupler 238mm (DDC600AL)
56CRKBR	Brass repair kit for ¾" - 1" coupler 56mm (DDC075BR & DDC100BR)
70CRKBR	Brass repair kit for 1½" - 2" coupler 70mm (DDC150BR & DDC200BR)
105CRKBR	Brass repair kit for 3" coupler 105mm (DDC300GM105)
119CRKBR	Brass repair kit for 3" coupler 119mm (DDC300GM)
164CRKBR	Brass repair kit for 4" coupler 164mm (DDC400GM)
56CRKSS	Stainless repair kit for ¾" - 1" coupler 56mm (DDC075SS & DDC100SS)
70CRKSS	Stainless repair kit for 1½" - 2" coupler 70mm (DDC150SS & DDC200SS)
105CRKSS	Stainless repair kit for 3" coupler 105mm (DDC300SS105)
119CRKSS	Stainless repair kit for 3" coupler 119mm (DDC300SS)
164CRKSS	Stainless repair kit for 4" coupler 164mm (DDC400SS)
238CRKSS	Stainless repair kit for 6" coupler 238mm (DDA600SS)

Kit includes screw, rollers, shafts, lock nuts, Teflon® tubes, Teflon® bushings, Teflon® rings, but does not include O-ring seals

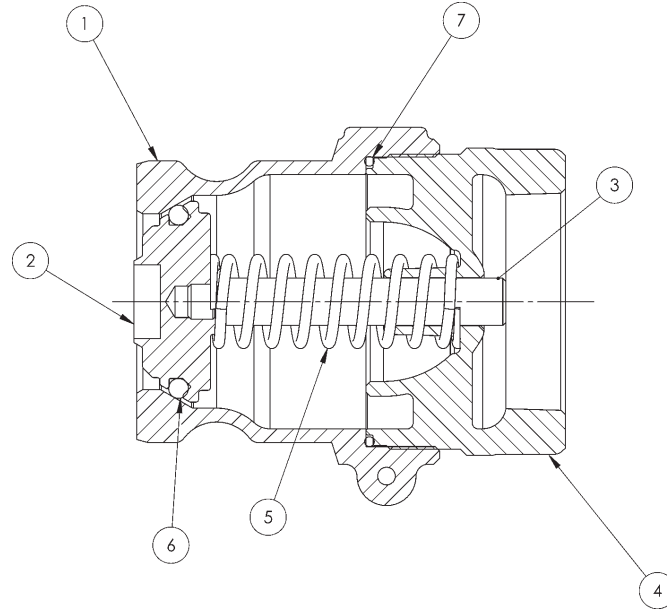
O-Ring Kits for Mann Tek Adapters

Part #	Description
56AORKVI	Viton® O-ring kit for ¾" - 1" adapter 56mm (DDA075 & DDA100 AL,BR,SS)
70AORKVI	Viton® O-ring kit for 1½" - 2" adapter 70mm (DDA150 & DDA200 AL,BR,SS)
105AORKVI	Viton® O-ring kit for 3" adapter 105mm (DDA300105 AL,BR,SS)
119AORKVI	Viton® O-ring kit for 3" adapter 119mm (DDA300 AL,BR,SS)
164AORKVI	Viton® O-ring kit for 4" adapter 164mm (DDA400 AL,BR,SS)
238AORKVI	Viton® O-ring kit for 6" adapter 238mm (DDA600 AL, SS)
56AORKNI	Nitril® O-ring kit for ¾" - 1" adapter 56mm (DDA075 & DDA100 AL,BR,SS)
70AORKNI	Nitril® O-ring kit for 1½" - 2" adapter 70mm (DDA150 & DDA200 AL,BR,SS)
105AORKNI	Nitril® O-ring kit for 3" adapter 105mm (DDA300105 AL,BR,SS)
119AORKNI	Nitril® O-ring kit for 3" adapter 119mm(DDA300 AL,BR,SS)
164AORKNI	Nitril® O-ring kit for 4" adapter 164mm(DDA400 AL,BR,SS)
238AORKNI	Nitril® O-ring for 6" adapter 238mm (DDA600 AL, SS)
56AORKEP	EPDM O-ring kit for ¾" - 1" adapter 56mm (DDA075 & DDA100 AL,BR,SS)
70AORKEP	EPDM O-ring kit for 1½" - 2" adapter 70mm (DDA150 & DDA200 AL,BR,SS)
105AORKEP	EPDM O-ring kit for 3" adapter 105mm (DDA300105 AL,BR,SS)
119AORKEP	EPDM O-ring kit for 3" adapter 119mm(DDA300 AL,BR,SS)
164AORKEP	EPDM O-ring kit for 4" adapter 164mm(DDA400 AL,BR,SS)
238ORKEP	EPDM O-ring kit for 6" adapter 238mm (DDA600 AL, SS)
56AORKKAL	Kalrez® O-ring kit for ¾" - 1" adapter 56mm (DDA075 & DDA100 AL,BR,SS)
70AORKKAL	Kalrez® O-ring kit for 1½" - 2" adapter 70mm (DDA150 & DDA200 AL,BR,SS)
105AORKKAL	Kalrez® O-ring kit for 3" adapter 105mm (DDA300105 AL,BR,SS)
119AORKKAL	Kalrez® O-ring kit for 3" adapter 119mm(DDA300 AL,BR,SS)
164AORKKAL	Kalrez® O-ring kit for 4" adapter 164mm(DDA400 AL,BR,SS)
238AORKKAL	Kalrez® O-ring kit 6" adapter 238mm (DDA600 AL, SS)
56AORKPER	Perlast® O-ring kit for ¾" - 1" adapter 56mm (DDA075 & DDA100 AL,BR,SS)
70AORKPER	Perlast® O-ring kit for 1½" - 2" adapter 70mm (DDA150 & DDA200 AL,BR,SS)
105AORKPER	Perlast® O-ring kit for 3" adapter 105mm (DDA300105 AL,BR,SS)
119AORKPER	Perlast® O-ring kit for 3" adapter 119mm(DDA300 AL,BR,SS)
164AORKPER	Perlast® O-ring kit for 4" adapter 164mm(DDA400 AL,BR,SS)
238AORKPER	Perlast® O-ring kit for 6" adapter 238mm (DDA600 AL, SS)
56AORKCHM	Chemraz® O-ring kit for ¾" - 1" adapter 56mm (DDA075 & DDA100 AL,BR,SS)
70AORKCHM	Chemraz® O-ring kit for 1½" - 2" adapter 70mm(DDA150 & DDA200 AL,BR,SS)
105AORKCHM	Chemraz® O-ring kit for 3" adapter 105mm (DDA300105 AL,BR,SS)
119AORKCHM	Chemraz® O-ring kit for 3" adapter 119mm(DDA300 AL,BR,SS)
164AORKCHM	Chemraz® O-ring kit for 4" adapter 164mm(DDA400 AL,BR,SS)
238AORKCHM	Chemraz® O-ring kit for 6" adapter 238mm (DDA600 AL, SS)

O-Ring Kits for Mann Tek Couplers

Part #	Description
56CORKVI	Viton® O-ring kit for ¾" - 1" coupler 56mm (DDC075 & DDC100 AL,BR,SS)
70CORKVI	Viton® O-ring kit for 1½" - 2" coupler 70mm (DDC150 & DDC200 AL,BR,SS)
105CORKVI	Viton® O-ring kit for 3" coupler 105mm (DDC300105 AL,BR,SS)
119CORKVI	Viton® O-ring kit for 3" coupler 119mm (DDC300 AL,BR,SS)
164CORKVI	Viton® O-ring kit for 4" coupler 164mm (DDC400 AL,BR,SS)
238CORKVI	Viton® O-ring kit for 6" coupler 238mm (DDC600 AL, SS)
56CORKNI	Nitril® O-ring kit for ¾" - 1" coupler 56mm (DDC075 & DDC100 AL,BR,SS)
70CORKNI	Nitril® O-ring kit for 1½" - 2" coupler 70mm (DDC150 & DDC200 AL,BR,SS)
105CORKNI	Nitril® O-ring kit for 3" coupler 105mm (DDC300105 AL,BR,SS)
119CORKNI	Nitril® O-ring kit for 3" coupler 119mm (DDC300 AL,BR,SS)
164CORKNI	Nitril® O-ring kit for 4" coupler 164mm (DDC400 AL,BR,SS)
238CORKNI	Nitril® O-ring kit for 4" coupler 238mm (DDC600 AL, SS)
56CORKEP	EPDM O-ring kit for ¾" - 1" coupler 56mm (DDC075 & DDC100 AL,BR,SS)
70CORKEP	EPDM O-ring kit for 1½" - 2" coupler 70mm (DDC150 & DDC200 AL,BR,SS)
105CORKEP	EPDM O-ring kit for 3" coupler 105mm (DDC300105 AL,BR,SS)
119CORKEP	EPDM O-ring kit for 3" coupler 119mm (DDC300 AL,BR,SS)
164CORKEP	EPDM O-ring kit for 4" coupler 164mm (DDC400 AL,BR,SS)
238CORKEP	EPDM O-ring kit for 4" coupler 238mm (DDC600 AL, SS)
56CORKKAL	Kalrez® O-ring kit for ¾" - 1" coupler 56mm (DDC075 & DDC100 AL,BR,SS)
70CORKKAL	Kalrez® O-ring kit for 1½" - 2" coupler 70mm (DDC150 & DDC200 AL,BR,SS)
105CORKKAL	Kalrez® O-ring kit for 3" coupler 105mm (DDC300105 AL,BR,SS)
119CORKKAL	Kalrez® O-ring kit for 3" coupler 119mm (DDC300 AL,BR,SS)
164CORKKAL	Kalrez® O-ring kit for 4" coupler 164mm (DDC400 AL,BR,SS)
238CORKAL	Kalrez® O-ring kit 6" coupler 238mm(DDC600 AL, SS)
56CORKPER	Perlast® O-ring kit for ¾" - 1" coupler 56mm (DDC075 & DDC100 AL,BR,SS)
70CORKPER	Perlast® O-ring kit for 1½" - 2" coupler 70mm (DDC150 & DDC200 AL,BR,SS)
105CORKPER	Perlast® O-ring kit for 3" coupler 105mm (DDC300105 AL,BR,SS)
119CORKPER	Perlast® O-ring kit for 3" coupler 119mm (DDC300 AL,BR,SS)
164CORKPER	Perlast® O-ring kit for 4" coupler 164mm (DDC400 AL,BR,SS)
238CORKPER	Perlast® O-ring kit for 6" coupler 238mm (DDC600 AL, SS)
56CORKCHM	Chemraz® O-ring kit for ¾" - 1" coupler 56mm (DDC075 & DDC100 AL,BR,SS)
70CORKCHM	Chemraz® O-ring kit for 1½" - 2" coupler 70mm (DDC150 & DDC200 AL,BR,SS)
105CORKCHM	Chemraz® O-ring kit for 3" coupler 105mm (DDC300105 AL,BR,SS)
119CORKCHM	Chemraz® O-ring kit for 3" coupler 119mm (DDC300 AL,BR,SS)
164CORKCHM	Chemraz® O-ring kit for 4" coupler 164mm (DDC400 AL,BR,SS)
238CORKCHM	Chemraz® O-ring 6" coupler 238mm (DDC600 AL, SS)

Dry Disconnect Cam & Groove Style Adapters



Bill of Materials

Item #	Description	Qty
1	adapter end	1
2	poppet	1
3	stem	1
4	pipe end	1
5	spring	1
6	O-ring	1
7	O-ring	1

Buna Seal Kits

Part #	Description	Includes Item #s
DBAK1-150	Buna seal kit	6, 7
DBAK1-200	Buna seal kit	6, 7
DBAK1-300	Buna seal kit	6, 7

Viton® Seal Kits

Part #	Description	Includes Item #s
DBAK2-150	Viton® seal kit	6, 7
DBAK2-200	Viton® seal kit	6, 7
DBAK2-300	Viton® seal kit	6, 7

Teflon®/Silicone Kits

Part #	Description	Includes Item #s
DBAK3-150	Teflon®/Silicone seal kit	6, 7
DBAK3-200	Teflon®/Silicone seal kit	6, 7
DBAK3-300	Teflon®/Silicone seal kit	6, 7

Chemraz® Kits

Part #	Description	Includes Item #s
DBAK6-150	Chemraz® seal kit	6, 7
DBAK6-200	Chemraz® seal kit	6, 7
DBAK6-300	Chemraz® seal kit	6, 7

Teflon®/Viton® Kits

Part #	Description	Includes Item #s
DBAK7-150	Teflon®/Viton® seal kit	6, 7
DBAK7-200*	Teflon®/Viton® seal kit	6, 7
DBAK7-300	Teflon®/Viton® seal kit	6, 7

* - Kit is incompatible with 2" Aluminum and Zinc adapters

Viton B® Kits

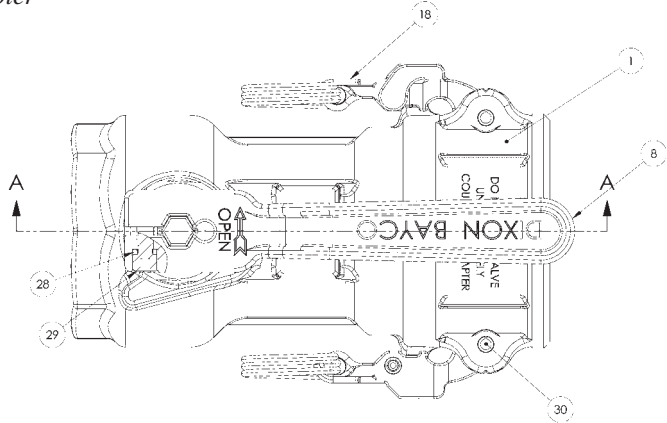
Part #	Description	Includes Item #s
DBAK9-300	Viton B® seal kit	6, 7

EPDM Kits

Part #	Description	Includes Item #s
DBAK4-150	EPDM seal kit	6, 7
DBAK4-200	EPDM seal kit	6, 7
DBAK4-300	EPDM seal kit	6, 7

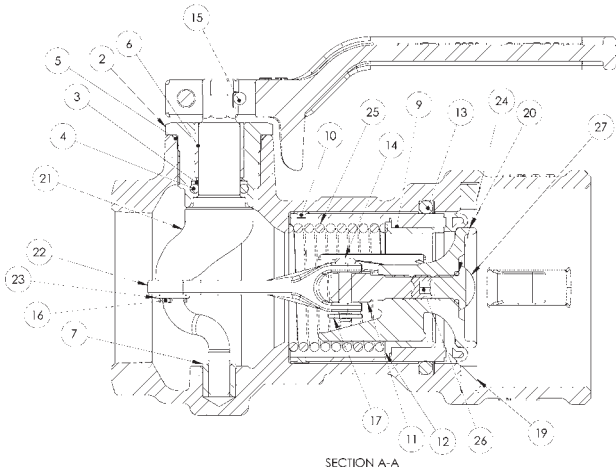
Dry Disconnect Cam and Groove Style Couplers

2" Coupler



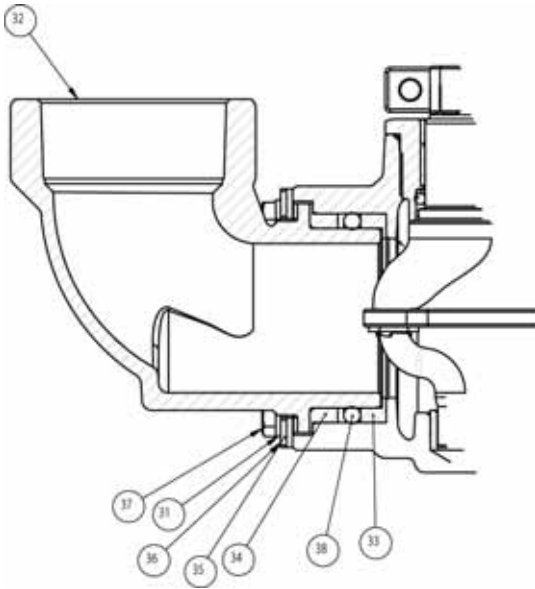
Bill of Materials

Item #	Description	Qty
1	body	1
2	stuffing box	1
3	backup ring	1
4	O-ring	1
5	O-ring	1
6	bearing	1
7	bearing - crank shaft	1
8	lever	1
9	seal cylinder	1
10	button	6
11	yoke	1
12	bushing	1
13	O-Ring	1
14	link rivet	1
15	groove pin	1
16	cotter pin	1
17	cotter pin	1
18	EZ Boss-Lock handle	2
19	gasket	1
20	poppet	1
21	crank shaft	1
22	link - investment cast	1
23	washer	1
24	O-ring	1
25	spring	1
26	set screw	1
27	screw-round head	1
28	lockwasher	1
29	screw	1
30	spring pin	2
31	lock washer	4
32	elbow body	1
33	bottom bearing	1
34	top bearing	1
35	washer	4
36	flange retainer	4
37	screw	4
38	swivel o-ring	1
39	Teflon® nose seal	1



SECTION A-A

DBC62-200 shown in illustration



DBS61-200 half shown in illustration

Dry Disconnect Cam & Groove Style Kits

- Specify seal material and coupling material when ordering kits.
- *seal material:* Buna-N, Viton®, or Teflon® & Chemraz®
- *coupling material:* aluminum or stainless steel

Seal Cylinder Kits

Part #	Description	Includes Item #s
DBC61-150RK2	Aluminum and Buna	9, 10, 12
DBC61-200RK2	Aluminum and Buna	9, 10, 12
DBC62-150RK2	Aluminum and Viton®	9, 10, 12
DBC62-200RK2	Aluminum and Viton®	9, 10, 12
DBC64-150RK2	EPDM	9, 10, 12
DBC64-200RK2	EPDM	9, 10, 12
DBC71-150RK2	Stainless Steel and Buna	9, 10, 12
DBC71-200RK2	Stainless Steel and Buna	9, 10, 12
DBC72-150RK2	Stainless Steel and Viton®	9, 10, 12
DBC72-200RK2	Stainless Steel and Viton®	9, 10, 12
DBC74-150RK2	EPDM	9, 10, 12
DBC74-200RK2	EPDM	9, 10, 12
DBCX3-150RK2	Teflon®	10, 12, 39
DBCX3-200RK2	Teflon®	10, 12, 39

Seal Kits

Part #	Description	Includes Item #s
DBCX1-150RK1	Buna seal kit	4, 5, 13, 19, 24
DBCX1-200RK1	Buna seal kit	4, 5, 13, 19, 24
DBCX2-150RK1	Viton® seal kit	4, 5, 13, 19, 24
DBCX2-200RK1	Viton® seal kit	4, 5, 13, 19, 24
DBCX3-150RK1	Teflon® and Chemraz®	4, 5, 13, 19, 24
DBCX3-200RK1	Teflon® and Chemraz®	4, 5, 13, 19, 24
DBCX4-150RK1	EPDM	4, 5, 13, 19, 24
DBCX4-200RK1	EPDM	4, 5, 13, 19, 24
DBCX6-150RK1	Chemraz® and Teflon®/Viton®	4, 5, 13, 19, 24
DBCX6-200RK1	Chemraz® and Teflon®/Viton®	4, 5, 13, 19, 24
DBCX7-150RK1	Chemraz® and Teflon®/Viton®	4, 5, 13, 19, 24
DBCX7-200RK1	Chemraz® and Teflon®/Viton®	4, 5, 13, 19, 24
DBS61-200RK1	Buna	4, 5, 13, 19, 24, 38
DBS62-200RK1	Viton®	4, 5, 13, 19, 24, 38

Link and Yoke Kits

Part #	Description	Includes Item #s
DBCXX-150RK4	link and yoke assembly	11,14,16,17, 21, 22
DBCXX-200RK4	link and yoke assembly	11,14,16,17, 21, 22

Gasket Kits

Part #	Description	Includes Item #s
DBCX1-150RK3	Buna	19
DBCX1-200RK3	Buna	19
DBCX2-150RK3	Viton®	19
DBCX2-200RK3	Viton®	19
DBCX3-150RK3	Teflon-SI®	19
DBCX3-200RK3	Teflon-SI®	19
DBCX4-150RK3	EPDM	19
DBCX4-200RK3	EPDM	19

Handle Kits

Part #	Description	Includes Item #s
DBCXX-150RK6	lever assembly	8, 15, 28, 29
DBCXX-200RK6	lever assembly	8, 15, 28, 29

Cam Shaft Kits

Part #	Description	Includes Item #s
DBCXX-150RK7	cam shaft, cotter pin, washer	16, 21, 23
DBCXX-200RK7	cam shaft, cotter pin, washer	16, 21, 23

Spring Kits

Part #	Description	Includes Item #s
DBCXX-150RK8	spring	25
DBCXX-200RK8	spring	25

Stuffing Box Kits

Part #	Description	Includes Item #s
DBCXX-150RK5	stuffing box, bearing, O-ring	2, 5, 6
DBCXX-200RK5	stuffing box, bearing, O-ring	2, 5, 6

Poppet Kits

Part #	Description	Includes Item #s
DBCXX-150RK9	poppet, poppet screw, set screw, Teflon® O-ring	20, 24, 26, 27
DBCXX-200RK9	poppet, poppet screw, set screw, Teflon® O-ring	20, 24, 26, 27

Swivel Repair Kits

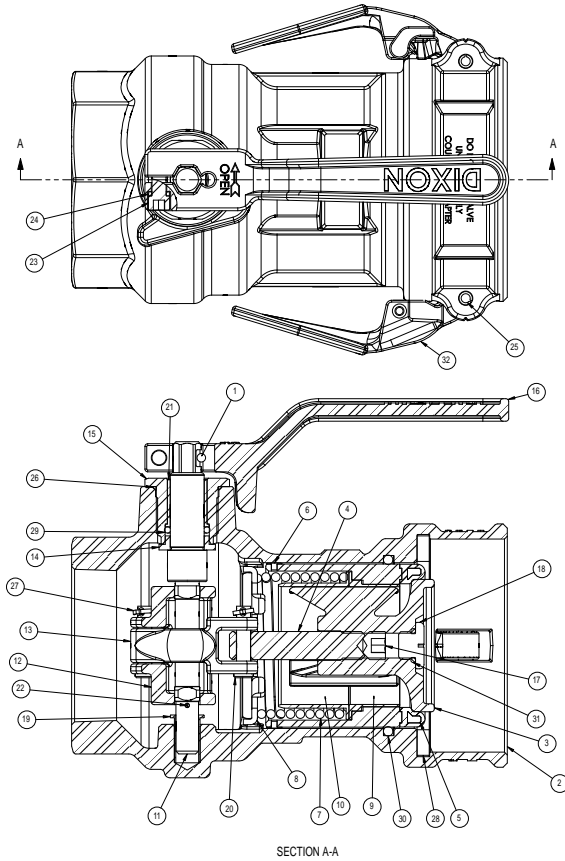
Part #	Description	Includes Item #s
DBS61-200RK4	Buna swivel rebuild kit	33, 34, 35, 36, 37, 38
DBS62-200RK4	Viton® swivel rebuild kit	33, 34, 35, 36, 37, 38
DBS61-200RK10	Buna swivel seal kit	33, 34, 38
DBS62-200RK10	Viton® swivel seal kit	33, 34, 38

Dry Disconnect Cam and Groove Style Couplers

3" Coupler

Bill of Materials

Item #	Description	Qty
1	groove pin	1
2	body	1
3	poppet	1
4	stem	1
5	seal cylinder	1
6	Teflon® button	8
7	cylinder spring	1
8	poppet spring seat	1
9	Teflon® bushing	1
10	poppet spring guide	1
11	shaft	1
12	yoke	1
13	link	1
14	shaft retainer	1
15	stuffing box	1
16	lever (handle)	1
17	set screw	1
18	poppet screw	1
19	Teflon® bearing	1
20	clevis pin	2
21	bearing	1
22	cotter pin	1
23	lever (handle) screw	1
24	lever (handle) lock washer	1
25	cam arm pin	2
26	Teflon® O-ring	1
27	cotter pin	2
28	coupler gasket	1
29	O-ring	1
30	O-ring	1
31	Teflon® O-ring	1
32	lockable paddle arm	2
33	nose seal (for DBC63-300)	1



DBC61-300 shown in illustration

Seal Cylinder Kits

Part #	Description	Includes Item #s
DBC61-300RK2	Aluminum and Buna	5, 6, 9
DBC62-300RK2	Aluminum and Viton®	5, 6, 9
DBC64-300RK2	EPDM	5, 6, 9
DBC69-300RK2	Viton® B	5, 6, 9
DBCX3-200RK2	Teflon®	6, 9

Seal Kits

Part #	Description	Includes Item #s
DBCX1-300RK1	Buna	26, 28, 29, 30, 31
DBCX2-300RK1	Viton®	26, 28, 29, 30, 31
DBCX3-300RK1	Teflon® and Chemraz®	26, 28, 29, 30, 31

Spring Kit

Part #	Description	Includes Item #s
DBCXX-300RK8	Spring	7

Stuffing Box Kit

Part #	Description	Includes Item #s
DBCXX-300RK5	Stuffing box, bearing, O-ring	15, 21, 26

Link and Yoke Kit

Part #	Description	Includes Item #s
DBCXX-300RK4	Link and Yoke Assembly	4, 12, 13, 20, 22

Handle Kit

Part #	Description	Includes Item #s
DBCXX-300RK6	Lever Assembly	1, 16, 23, 24

Cam Shaft Kit

Part #	Description	Includes Item #s
DBCXX-300RK7	Cam shaft, cotter pin, washer	11, 14, 19, 22

Gasket Kits

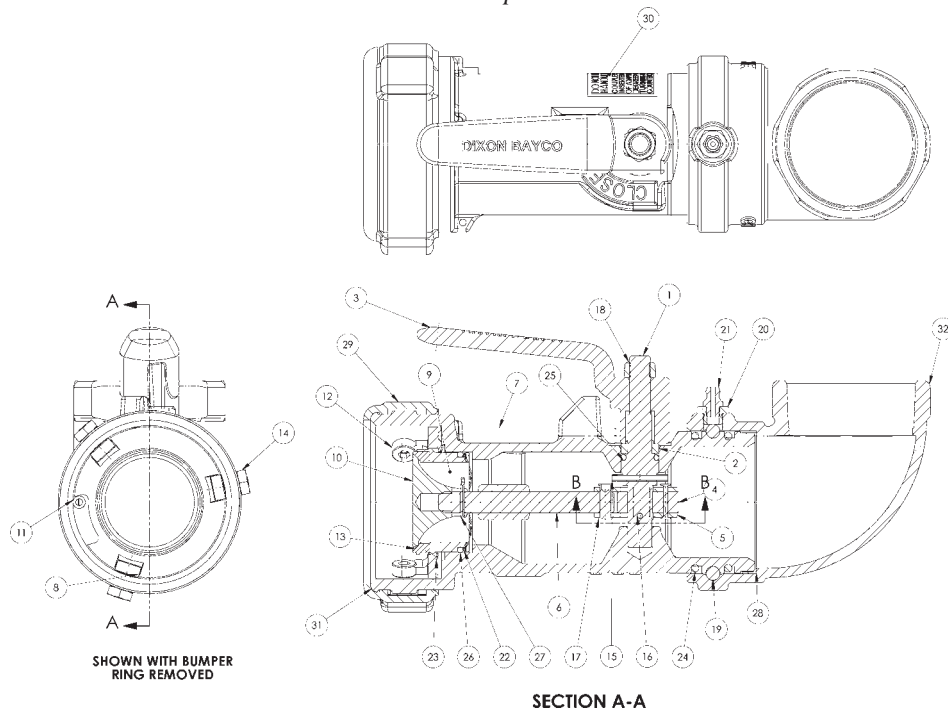
Part #	Description	Includes Item #s
DBCX1-300RK3	Buna	28
DBCX2-300RK3	Viton®	28
DBCX3-300RK3	Teflon-SI®	28
DBCX4-300RK3	EPDM	28
DBCX9-300RK3	Viton® B	28

Poppet Kit

Part #	Description	Includes Item #s
DBCXX-300RK9	Poppet Kit	3, 17, 18, 31

Dry Disconnect Bayonet Style Couplers

2" Coupler



Complete Seal Repair Kit - Buna

Part #	Description	Includes Item #s
BS61-200RK1	nose seal, spring pin, grooved pin, O-rings, cotter pin, bearing strip, bumper ring	13, 15, 16, 24, 25, 26, 27, 28, 29

Complete Seal Repair Kit - Viton®

Part #	Description	Includes Item #s
BS62-200RK1	nose seal, spring pin, grooved pin, O-rings, cotter pin, bearing strip, bumper ring	13, 15, 16, 24, 25, 26, 27, 28, 29

Swivel Seal Repair Kit - Buna

Part #	Description	Includes Item #s
BS61-200RK2	O-ring, bearing strip	24, 28

Swivel Seal Repair Kit - Viton®

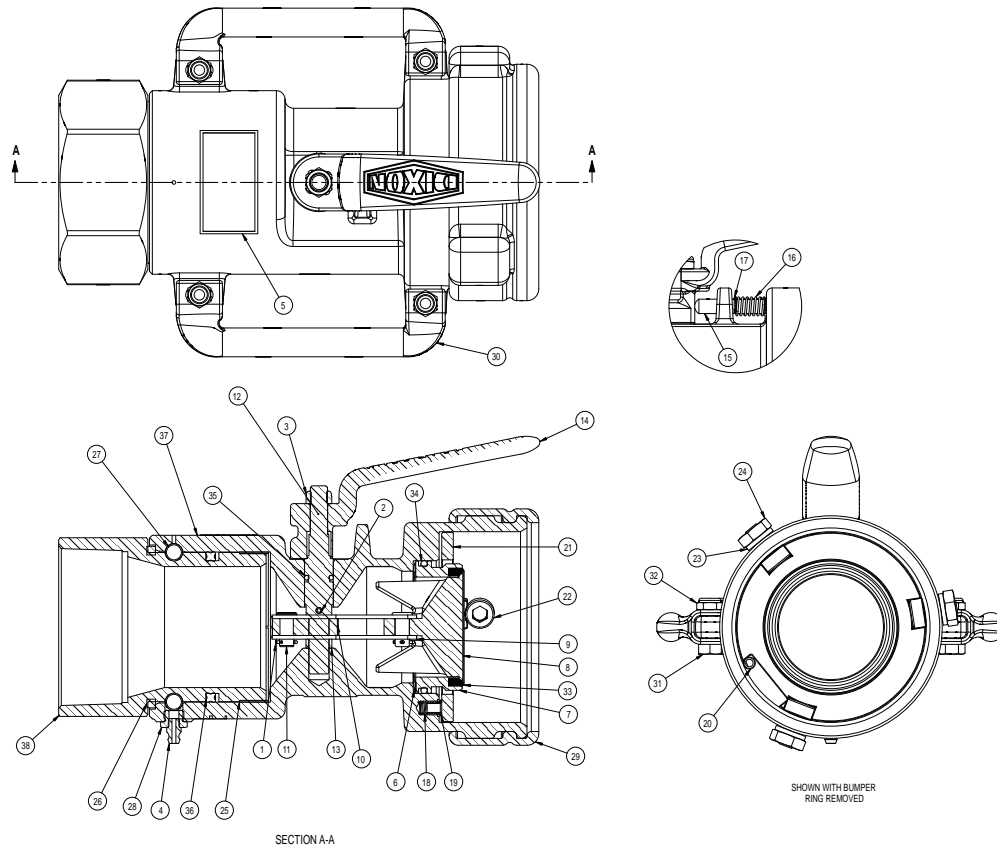
Part #	Description	Includes Item #s
BS62-200RK2	O-ring, bearing strip	24, 28

Bill of Materials

Item #	Description	Qty
1	shaft	1
2	follower	1
3	lever	1
4	link	1
5	bent link	2
6	stem	1
7	interlock pin	1
8	lock ring	1
9	nose piece	1
10	poppet	1
11	coiled pin	1
12	bayonet stud	3
13	nose seal	1
14	jam nut	3
15	spring pin	1
16	grooved pin	1
17	rivet	2
18	lock nut	1
19	ball bearing	32
20	ball plug	1
21	grease fitting	1
22	wave spring	2
23	wave spring washer	1
24	O-ring	2
25	O-ring	1
26	O-ring	1
27	cotter pin	1
28	bearing strip	1
29	bumper ring	1
30	label	1
31	body	1
32	elbow	1

Dry Disconnect Bayonet Style Couplers

3" Coupler



Bill of Materials

Item #	Description	Qty
1	cotter pin	2
2	spring pin	1
3	lock nut	1
4	grease fitting	1
5	label	1
6	wave spring	1
7	nose piece	1
8	poppet	1
9	bent link	2
10	drive link	1
11	clevis pin	2
12	stem	1
13	stem spacer	1
14	lever (handle)	1
15	interlock pin	1
16	compression pin	1
17	retaining ring	1
18	compression spring	3
19	eyelet	3
20	spring pin	1
21	lock ring	1
22	bayonet stud	3
23	lock washer	3
24	nut	3
25	bearing strip	1
26	dust seal	1
27	ball bearings	27
28	ball plug	1
29	bumper ring	1

Bill of Materials *continued...*

Item #	Description	Qty
30	grip handle	2
31	bolt	4
32	lock nut	4
33	nose seal	1
34	nose body O-ring	2
35	stem O-ring	1
36	quad O-ring	1

Complete Seal Repair Kit - Buna

Part #	Description	Includes Item #s
BS61-300RK1	nose seal, spring pin, grooved pin, O-rings, cotter pin, bearing strip, bumper ring	1, 2, 26, 33, 34, 35, 36

Complete Seal Repair Kit - Viton®

Part #	Description	Includes Item #s
BS62-300RK1	nose seal, spring pin, grooved pin, O-rings, cotter pin, bearing strip, bumper ring	1, 2, 26, 33, 34, 35, 36

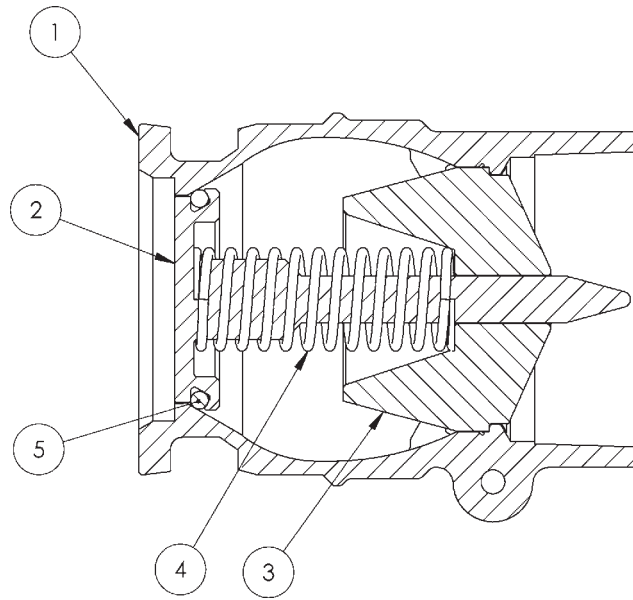
Swivel Seal Repair Kit - Viton®

Part #	Description	Includes Item #s
BS62-300RK2	O-ring, bearing strip	25, 26, 36

Swivel Seal Repair Kit - Buna

Part #	Description	Includes Item #s
BS61-300RK2	O-ring, bearing strip	25, 26, 36

Dry Disconnect Bayonet Style Adapters



Bill of Materials

Item #	Description	Qty
1	body	1
2	poppet	1
3	deflector	1
4	spring	1
5	O-ring	1

Poppet Seal Kits

Part #	Description	Includes Item #s
BA31-200RK1	poppet O-ring	5
BA32-200RK1	poppet O-ring	5
BA31-300RK1	poppet O-ring	5
BA32-300RK1	poppet O-ring	5

Hose Assembly Safety Program

Dixon, in partnership with your industrial hose supplier, is pleased to offer a hose and coupling safety survey of your plant, at no cost to you, to assist in your efforts to make your facility as safe, efficient and productive as possible.

Today, plant safety is an enormous, ongoing endeavor in which it is impossible to be an expert in every field.

The use of damaged or misapplied hose couplings and related items occurs. To the untrained eye, these hazards may continue to exist until an accident happens, threatening not only plant machinery, but also the well-being of plant personnel.

Our program includes a visual inspection of hose assemblies and related accessories in your plant by trained technicians. A professionally written report containing our observations and recommendations for corrective action is subsequently provided to augment your own ongoing safety program. If desired, photographs of the areas of concern can be supplied with the report. As a follow-up, the program offers an educational hands-on seminar directly relating to the safety concerns in your facility.

Plant safety is coming under increasing scrutiny by various regulatory agencies. Let Dixon's trained personnel assist you in establishing and maintaining safety compliance in your plant.

The safety survey report is completely confidential and will only be shown to authorized plant personnel. Again, there is no cost to you for this service. For more information, please contact the factory at 1-800-355-1991.

QLD Mackay

38 John Vella Drive
Paget QLD 4740

Phone (07) 4952 5588
Fax (07) 4952 5922

QLD Brisbane

6 Union Circuit
Yatala QLD 4207

Phone (07) 3807 1415
Fax (07) 3807 1843

NSW Sydney

1018 Canley Vale Road
Wetherill Park NSW 2164

Phone (02) 9604 0399
Fax (02) 9604 0952

WA Perth

46-48 Wittenberg Drive
Canning Vale WA 6155

Phone (08) 9455 4993
Fax (08) 9455 4983

China

Dixon (Shanghai) Trading Co., LTD

Room 203
Building 3, No. 1000 Xiechun Road
Jiading District
Shanghai PRC 201804

Phone +86 021 6089 9980
Fax +86 021 6992 2177

Vic Melbourne

2/110-116 Fitzgerald Road
Laverton North Vic 3026

Phone (03) 9369 0622
Fax (03) 9369 0644

SA Adelaide

(SA sales dept)

170 Francis Road
Wingfield SA 5013

Phone (08) 8202 6060
Fax (08) 8202 6096

TAS Hobart

14 Chesterman Street
Moonah TAS 7009

Phone (03) 6273 3007
Fax (03) 6273 3009

Singapore

River Place
62 Havelock Road
Apt #09-07
Singapore 169659

Phone +65 6693 5977
Email aprentice@dixonvalve.com.au

India

Dixon Asia Pacific Private Limited

No. 11, Udyog Bhavan
Sonawala Road
Goregaon (E)
Mumbai 400-063 India

Phone +91 22 2686 2226
Fax +91 22 2685 4748
Email salesindia@dixonvalve.com.au



The Right Connection™

1300 134 651

enquiries@dixonvalve.com.au

Dixon (Asia Pacific) Pty Ltd

170 Francis Road • Wingfield SA 5013
PO Box 2491 • Regency Park SA 5942
Phone +61 8 8202 6000
Fax +61 8 8202 6099
www.dixonvalve.com.au